

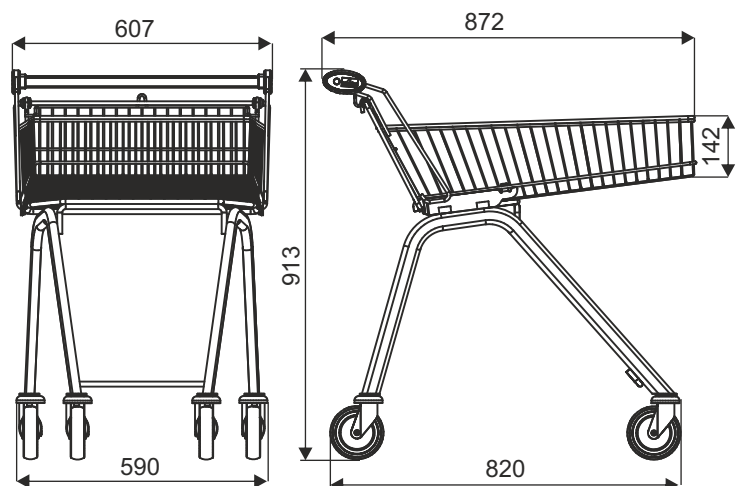
SHOPPING TROLLEY AVANT 65

NEW!



| | |
|-------------------------|--|
| TYPE | Avant 65 |
| BASKET CAPACITY | 65 l |
| LOADING | 65 kg |
| WHEEL DIAMETER | 125 mm |
| FINISH | zinc plated + thermal setting lacquer |
| NESTING DISTANCE | 245 mm |

In the standard version shopping trolley has standard wheels. Optional accessories (inter alia wheels for passenger conveyors or with brake, coin lock, the logo and other accessories) require separate arrangements.



| PRODUCT NAME | FINISH | INDEX |
|---------------------------|-----------------------|-------------|
| Shopping trolley Avant 65 | zinc plated + lacquer | 919-351-525 |

W1 SHOPPING TROLLEYS