

QUALITY

EXPERIENCE

PASSION



GRAIN TRANSPORTATION

SCREW CONVEYORS, CHAIN CONVEYORS AND BUCKET ELEVATORS

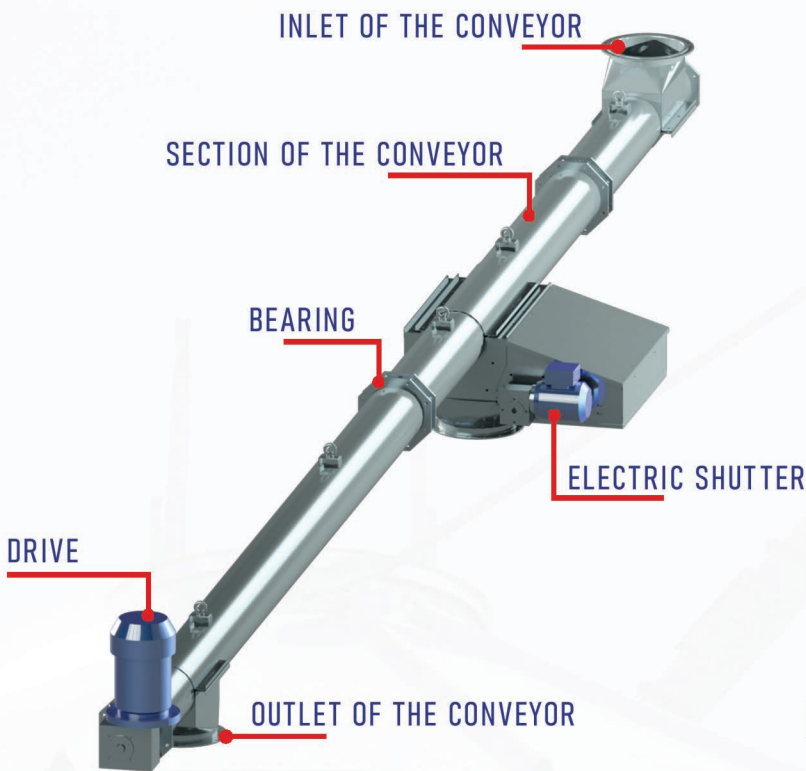


BIN SCREW CONVEYORS TYPE PS160 AND PS220

- Screw conveyors are designed for transporting cereal grain, maize, and oilseeds.
- They can receive bulk material transported from the places located under the hoppers, from buffer silos or conveyors and move it to other silos or conveyors.
- They are suitable for transporting grain from BIN silos and to BIN silos and moving it between the silos, as well as for carrying grain from the intake hopper to the bucket elevator.
- The screw conveyors have a modular structure.

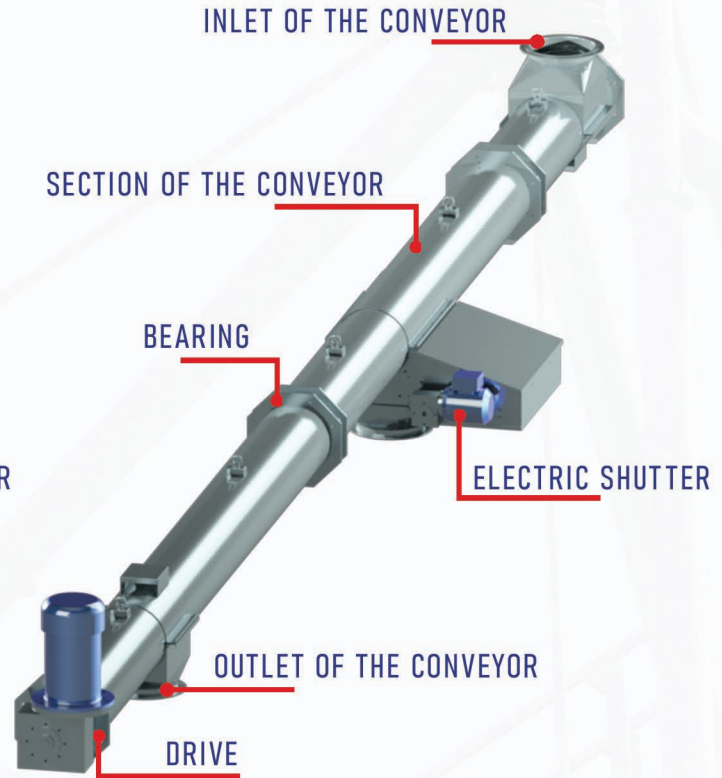
BIN SCREW CONVEYORS PS160

Nominal capacity - 28 t/h
Length up to 9m



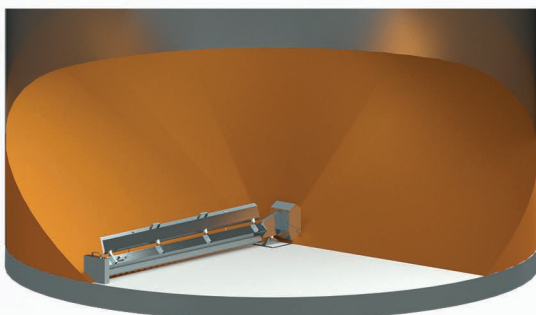
BIN SCREW CONVEYORS PS220

Nominal capacity - 45 t/h
Length up to 15m



BIN INTERNAL SWEEP AUGERS TYPE PSW

- Internal sweep augers enable residual grain unloading of the grain that was not able to fall gravitationally into conveyor mounted under the floor. Usually, in most of the silos, residual volume of the grain accounts for 15-20% of the silo's capacity.
- Sweep auger type PSW sweeps the grains while moving around the silo and transports them into underfloor conveyor.

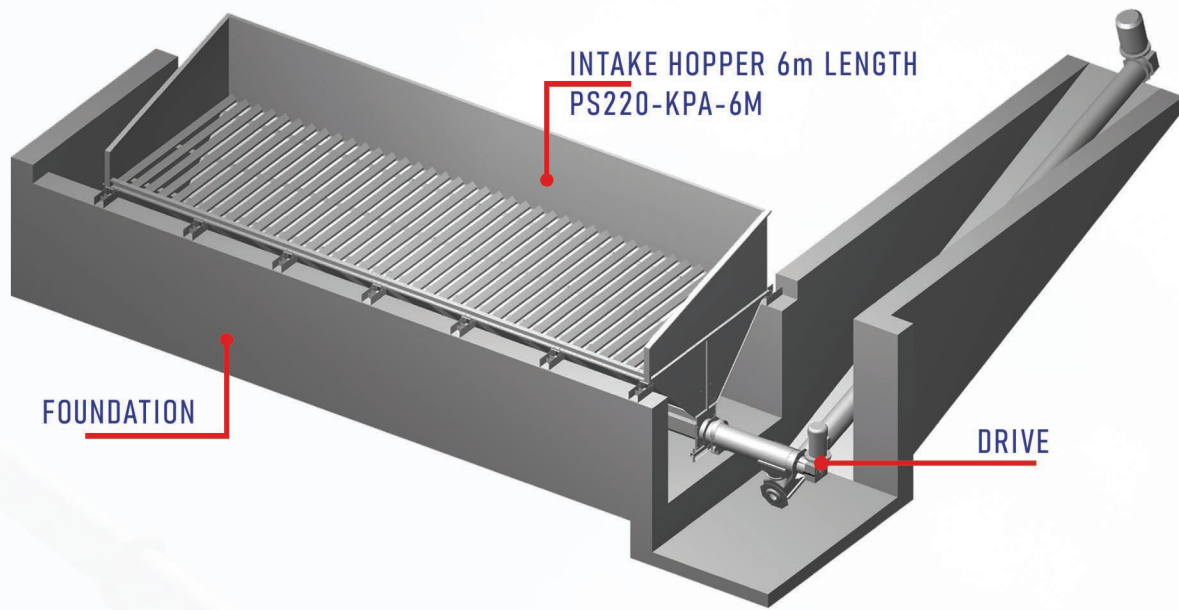


silos type	model of sweep auger type PSW
BIN60	PSW60
BIN100	PSW220-BIN100
BIN200	PSW220-BIN200
BIN500	PSW 500
BIN1000	PSW 1000
BIN1500	PSW 1500
FBIN9	PSW 500
FBIN11	PSW 1000 or PSW11-S140
FBIN14	PSW 1500 or PSW14-S140
FBIN17	PSW17-S170 or PSW17-SCD210
FBIN19	PSW19-S210 or PSW19-SCD210



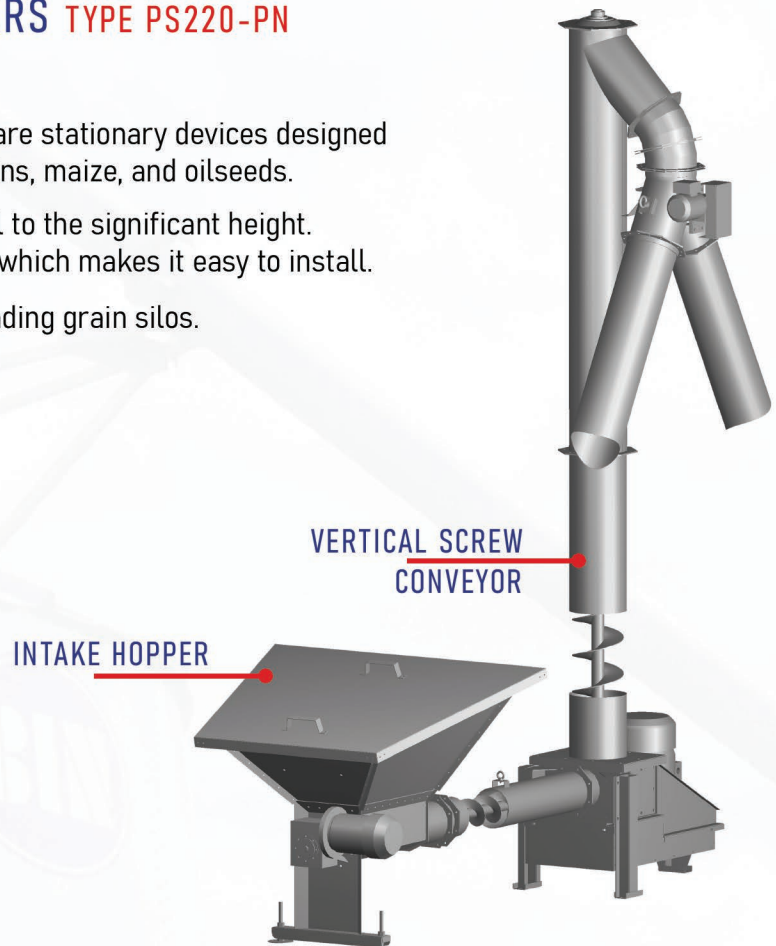
INTAKE HOPPER WITH SCREW CONVEYOR

- Intake hopper is dedicated to grain unloading from farm trailers, semitrailers, and open cargo bodies of the trucks.
- It enables the transport of the bulk material to warehouses, silos or other places designed for grain and seed storage.
- Intake hopper consists of body made of galvanized steel. There is located a screw conveyor in the bottom part of the hopper. There is a grate mounted in the top part of the body. There are sides located above the surface of a grate also.
- It is possible to use adjustable cover above the spiral to regulate amount of bulk material received by the hopper.
- Intake hopper may be produced in the following lengths: 5m, 6m, 8m or 9m.



VERTICAL SCREW CONVEYORS TYPE PS220-PN

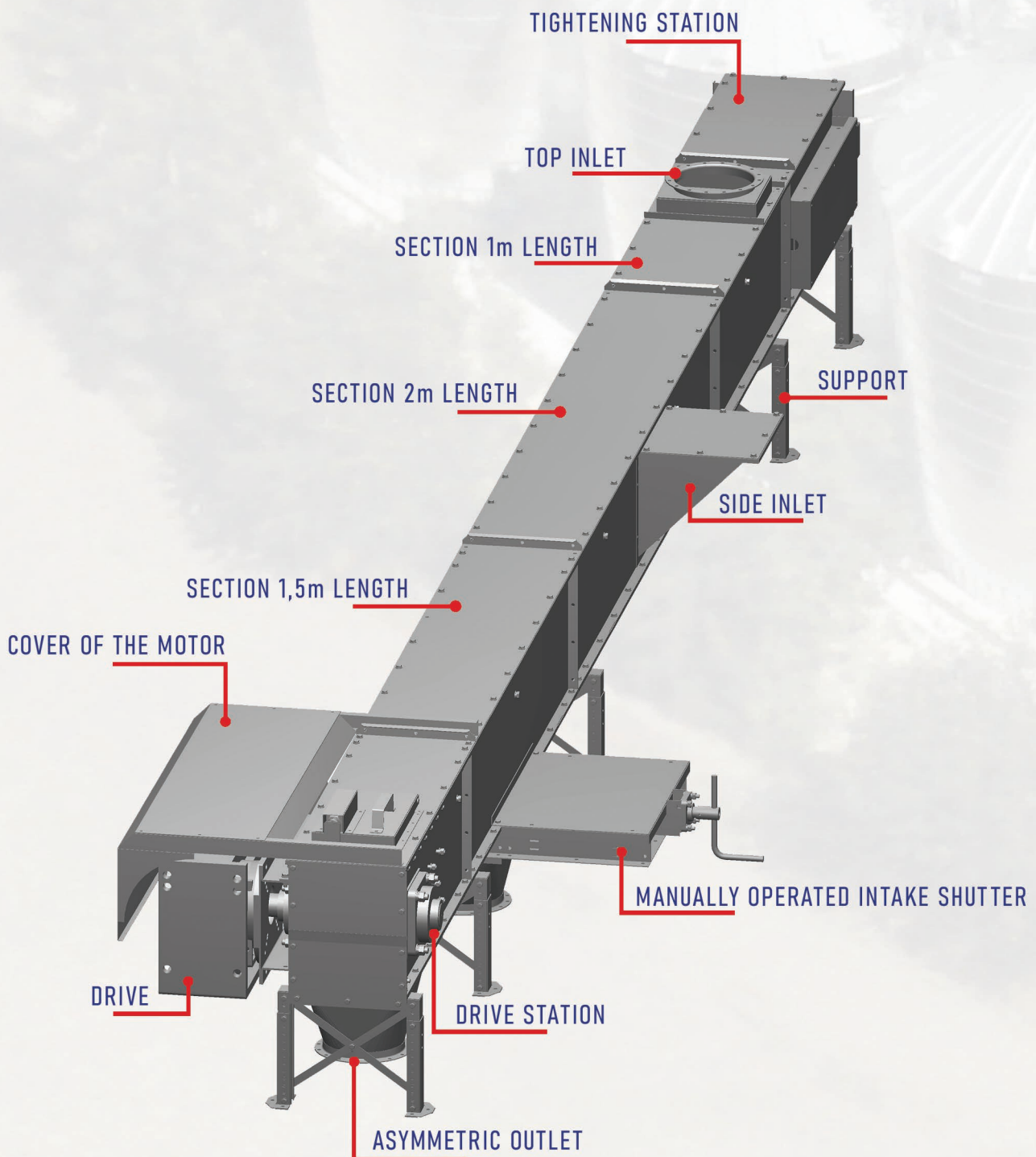
- Vertical screw conveyors type PS220-PN are stationary devices designed for vertical transporting of the cereal grains, maize, and oilseeds.
- They enable transport of the bulk material to the significant height. Its demand for the built-up area is small, which makes it easy to install.
- They are very useful for loading and unloading grain silos.
- The height of up to 14,6m
- Nominal capacity of 24 t/h





CHAIN CONVEYORS MODEL RED250

- Chain conveyors are designed for transporting cereal grain, maize, and oilseeds.
- Transport can take place horizontally or at an angle of up to 30°.
- Chain conveyors offered in the total length from 3m to 80m (extension every 0,5m) are designed to work with a nominal capacity of 45 t/h.
- The performance of the device depends, among others, on the type of grain being transported, moisture of bulk material, grain contamination level, inclination angle of the conveyor and the filling level of the conveyor body.
- The drives are equipped with helical-bevel gearboxes.



BIN BASIC COMPONENTS OF RED250 CHAIN CONVEYOR:

- drive station with helical-bevel gearbox (reducer) and motor with the power of from 3kW to 15kW depending on the conveyor length
- tightening station with chain tensioning springs
- segments of the conveyor with the following length: 1m, 1,5m or 2m
- chain with scrapers

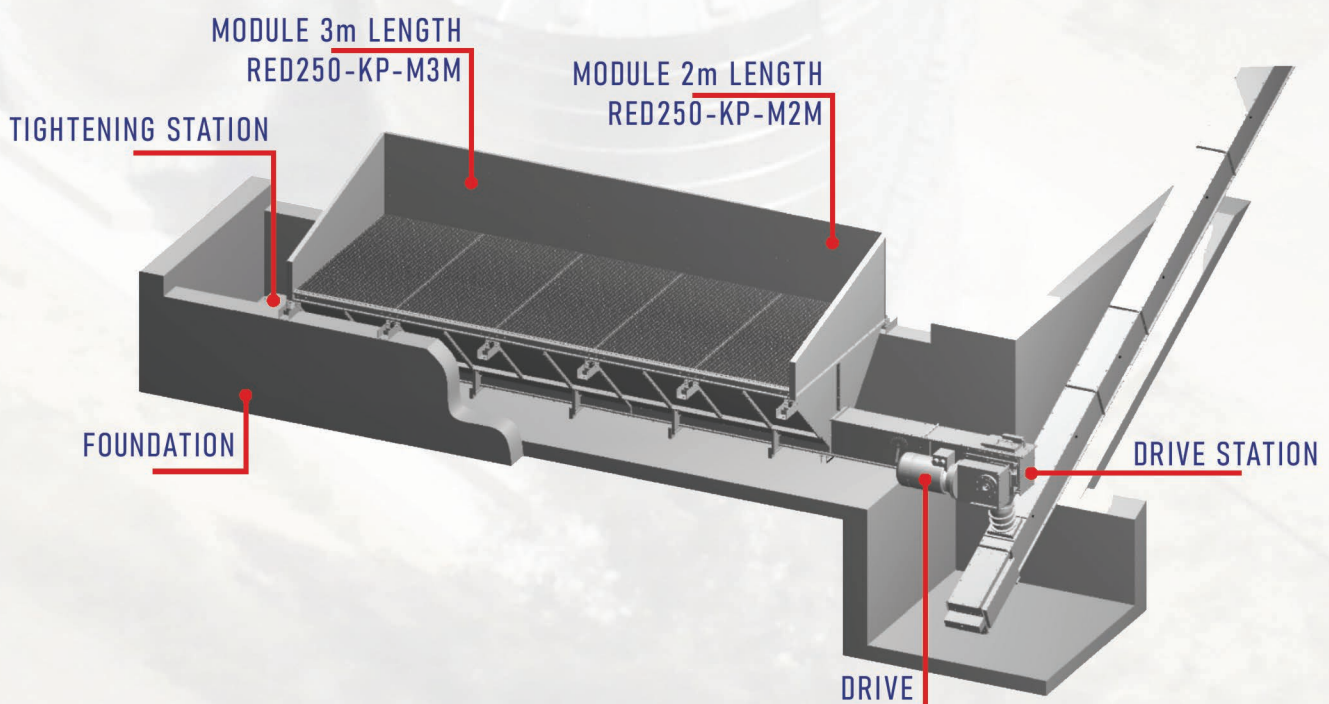
BIN ADDITIONAL COMPONENTS OF RED250 CHAIN CONVEYOR:

- top inlet and side inlet
- asymmetric outlet
- outlet with manually or electrically operated shutter
- height adjustable supports of the conveyor: lower support with the height from 2cm to 9,5cm and higher support with the height from 30cm to 44.6cm
- angular support of the conveyor with height-adjusting (from 30cm to 112,8cm) and the slop adjusting (to 30°) designed for supporting inclined conveyors
- cover of the motor protecting the drive from atmospheric precipitation

BIN INTAKE HOPPER WITH CHAIN CONVEYOR

- Intake hopper is dedicated to the unloading of grains, maize, and oilseeds from farm trailers, semitrailers, and open cargo bodies of the trucks.
- Intake hopper consists of the body made of galvanised steel and the grate made of "WEMA" bridging grilles.
- There is located a chain conveyor in the bottom part of the hopper. It is possible to connect screw conveyor, chain conveyor or bucket elevator to the conveyor.
- The lever installed in the section of the chain conveyor helps to control the amount of received bulk material.

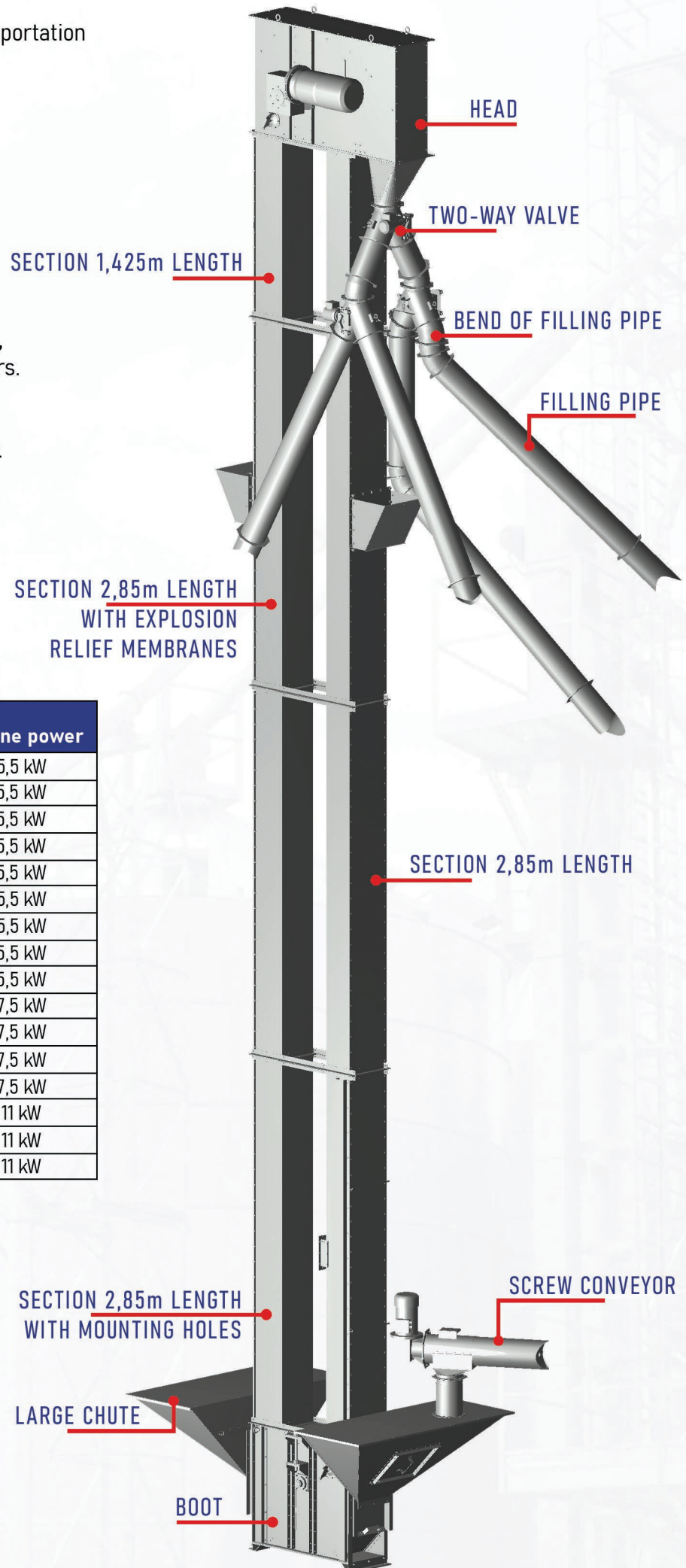
BIN INTAKE HOPPER 5m LENGTH



BUCKET ELEVATORS MODEL PK250

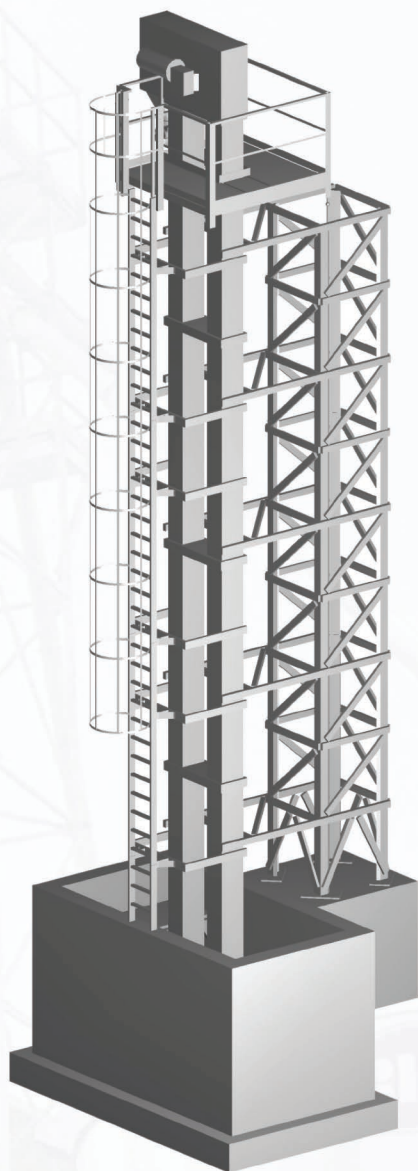
- Bucket elevators are used for vertical transportation of cereal grains, maize, and oilseeds to the maximum height of 29,93 m.
- Elevator is equipped with a reducer and a motor with brake. Break can be unblocked by hand.
- One chute or two chutes can be mounted to the boot of the chain conveyor. BIN company offers 3 sizes of chutes:
 - small chute for one pipe or conveyor,
 - special chute for two pipes or conveyors,
 - large chute for several pipes or conveyors.
- The bucket elevator must be attached to structural elements ensuring its stability.
- Bucket elevators have been designed to work with a nominal capacity of 45 t/h.

model of the bucket elevator	height of the transmission	engine power
PK250-8.6	8,55 m	5,5 kW
PK250-10.0	9,98 m	5,5 kW
PK250-11.4	11,40 m	5,5 kW
PK250-12.8	12,83 m	5,5 kW
PK250-14.3	14,25 m	5,5 kW
PK250-15.7	15,68 m	5,5 kW
PK250-17.1	17,10 m	5,5 kW
PK250-18.6	18,53 m	5,5 kW
PK250-20.0	19,95 m	5,5 kW
PK250-21.4	21,38 m	7,5 kW
PK250-22.8	22,80 m	7,5 kW
PK250-24.2	24,23 m	7,5 kW
PK250-25.6	25,65 m	7,5 kW
PK250-27.1	27,08 m	11 kW
PK250-28.5	28,50 m	11 kW
PK250-29.9	29,93 m	11 kW



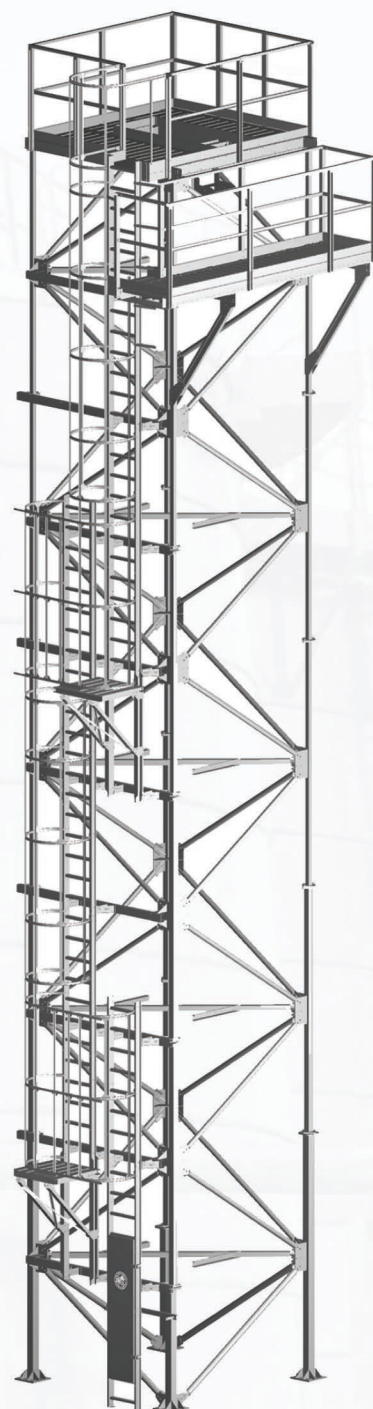


SUPPORT OF THE BUCKET ELEVATOR



- Support of the bucket elevator is multifunctional support PRS with the appropriate number of conveyor fasteners.
- It is possible to use PRS support to bucket elevators produced by the company BIN with a height of up to 12,8m.
- Maintenance of the bucket elevator fixed to the support can be provided by the maintenance platform model PK250-PLATFORM. The platform is equipped with the ladder.

model of PRS support	model of PK250 bucket elevator
PRS-7M	PK250-8.6
PRS-8M	PK250-10.0
PRS-9M	PK250-11.4
PRS-10M	PK250-12.8

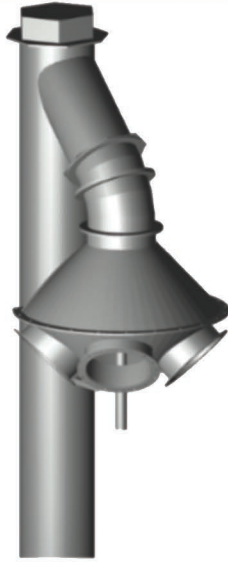


BUCKET ELEVATOR SUPPORT TOWER

- The tower is used to support a bucket elevator.
- The support tower is equipped with two platforms and the ladder with the safety cage. The top platform enables maintenance of the bucket elevator head. The bottom platform allows access to the valves and filling pipes.
- The heights of the support towers are adjusted to the heights of standard bucket elevators manufactured by the company BIN.

model of the tower	total height of the tower	model of the elevator
WPK-1-12.8	14,1 m	PK250-14.3
WPK-1-14.3	15,5 m	PK250-15.7
WPK-1-15.7	16,9 m	PK250-17.1
WPK-1-17.1	18,3 m	PK250-18.6
WPK-1-18.5	19,8 m	PK250-20.0
WPK-1-20.0	21,2 m	PK250-21.4
WPK-1-21.4	22,6 m	PK250-22.8
WPK-1-22.8	24,0 m	PK250-24.2
WPK-1-24.2	25,5 m	PK250-25.6

BIN FOUR-WAY OR SIX-WAY VALVE Ø200



BIN TWO-WAY VALVE Ø200



BIN COLLECTOR OF FILLING PIPES Ø200



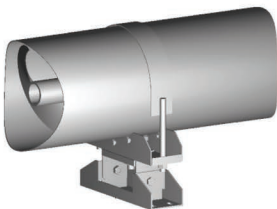
BENDS OF FILLING PIPES Ø200:
5°, 15°, 30°

BIN BRAKE OF FILLING PIPE Ø200



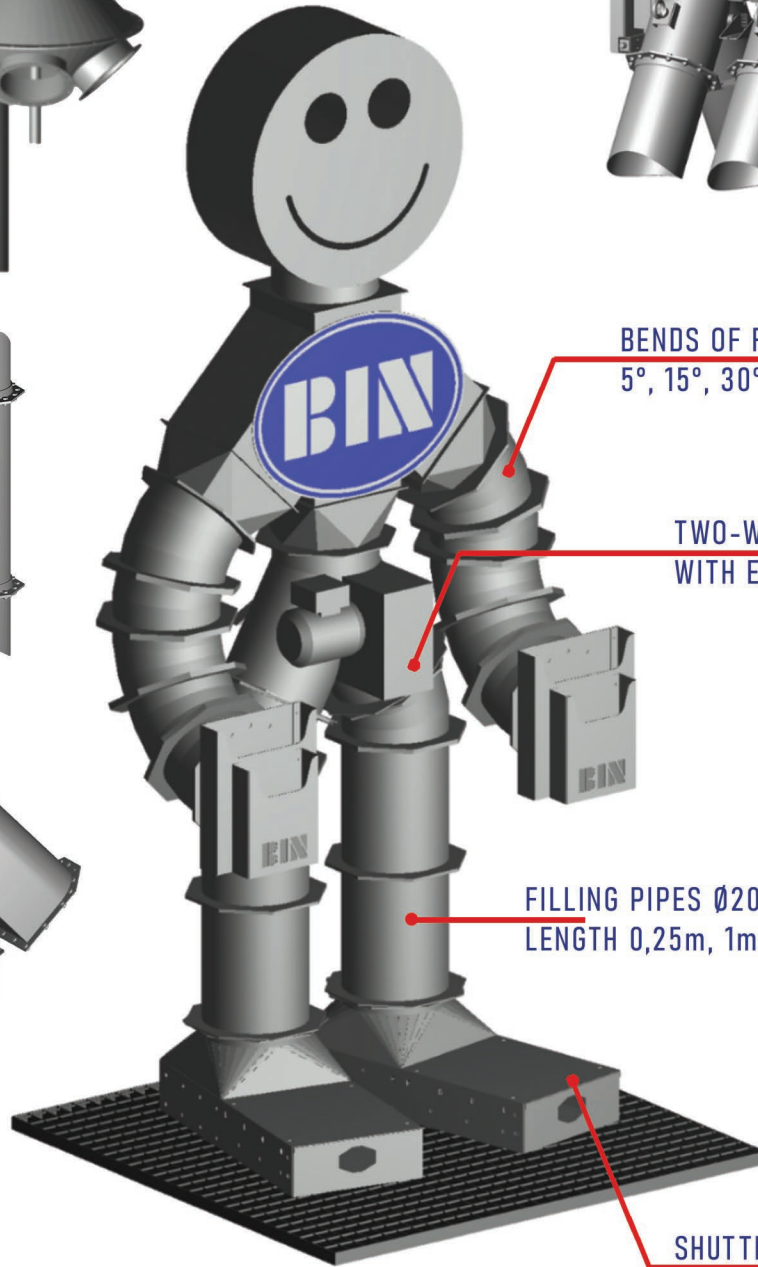
TWO-WAY VALVE Ø200
WITH ELECTRIC DRIVE

BIN FITTING OF PIPES
AND SCREW CONVEYORS
Ø160 AND Ø220



FILLING PIPES Ø200,
LENGTH 0,25m, 1m, 1,5m and 2m

SHUTTER TO THE SILOS
WITH CONE-BOTTOM



BIN Sp. z o.o.

ul. Narutowicza 12
87-700 Aleksandrów Kujawski
POLAND

EXPORT DEPARTMENT

+48 54 282 88 05

export@bin.agro.pl

FULL LIST OF DISTRIBUTORS AVAILABLE ON THE WEBSITE:

www.bin.agro.pl